

THIS DRAWING IS UNPUBLISHED.

RELEASED FOR PUBLICATION

19

© COPYRIGHT 19

BY AMP INCORPORATED. ALL INTERNATIONAL RIGHTS RESERVED.

LOC

DIST

AF

50

P F

ZONE LTR

REVISIONS

DESCRIPTION

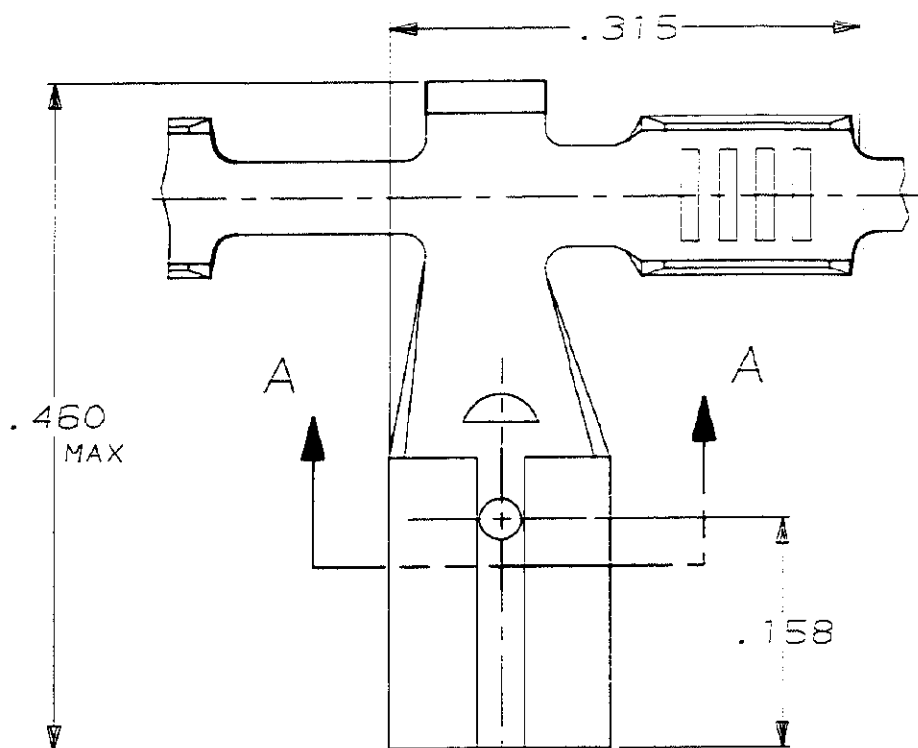
DATE

APPD

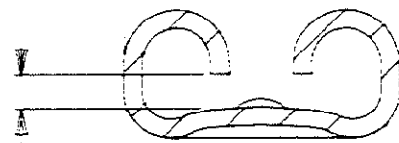
B REDRAWN AF-7403

4/24/91 JR

1 CONTINUOUS STRIP ON REELS

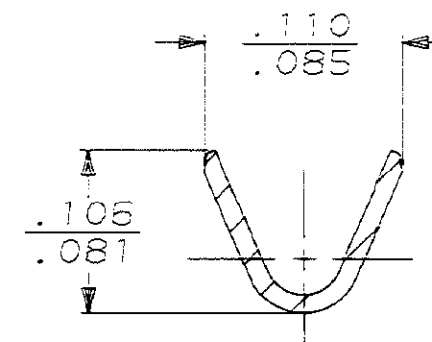
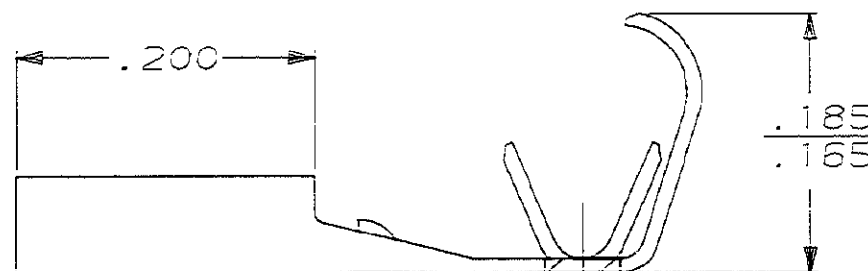
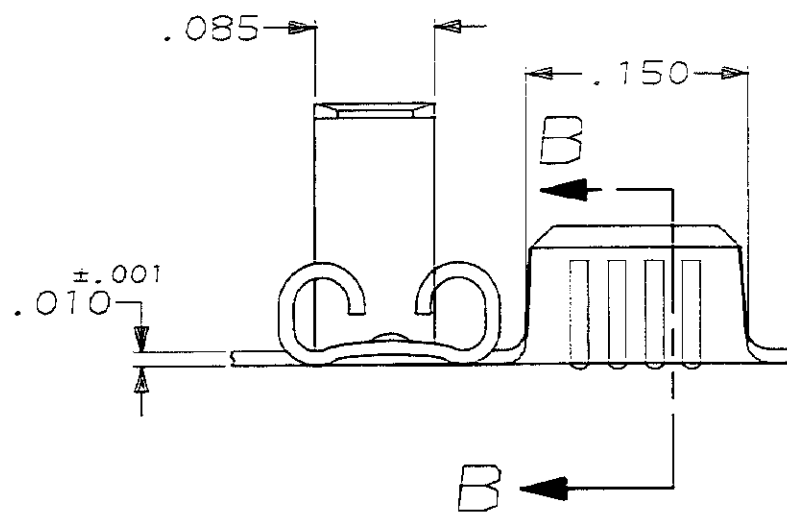


.148



FITS .110 SERIES FASTON TABS

SECTION A-A  
SCALE 10:1



SECTION B-B  
SCALE 10:1

.065-.100 DIA	22-18 AWG	.015	61459-1
INSULATION RANGE	WIRE SIZE	MATING TAB THK ±.001	PART NO
DO NOT SCALE PRINT, UNLESS SPECIFIED. DIMENSIONS ARE IN INCHES. TOLERANCES ON: 2 PLC DEC = - 3 PLC DEC = .015 ANGLES = -	DR 4/24/91 JR RUTH	<b>AMP</b> AMP Incorporated Harrisburg, PA 17105-3608	NAME RECEPTACLE, FASTON, FLAG, .110 SERIES
	CHK 4/24/91 MS FEHER		
	APPD 4/24/91 C MEYERS		
	APPD 4/24/91 D REINER		
MATERIAL #4H BRASS	PRODUCT SPEC -	SIZE B	CAGE CODE 00779
FINISH PRE-TIN	APPLICATION SPEC -	SCALE 8:1	DRAWING NO 61459
	WEIGHT -		SHEET 1 OF 1